

ITEM

15220CPS40S0L

RING-ONE SALVA SPAZIO 2VIE Ø40

Product Type

Traps and basket wastes for kitchen sinks

Kitchen sink space-saving traps



Logistic Info

Pcs per Carton:

Qty per Pallet:

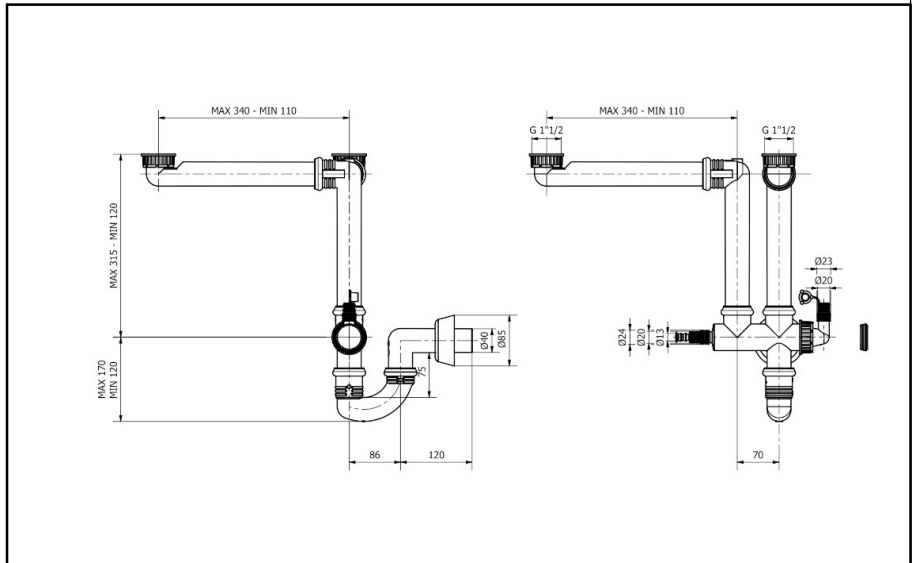
Unit weight: 0,70084

Flow rate Lt/m.:

ORIGINE: MADE IN ITALY

Cod.EAN13: 8030575067476

Tarif Code :39229000



Tecnichal Details

Model: RING-O

Product: Space saver traps for double waste kitchen sinks

Spec 1: With quick press-fit connections and sylicon washers. With side connection for water discharge. For double-bowl kitchen sinks

Spec 2: 1"1/2 x Ø40 mm

Material 1: PP

Material 2: Sylicone

Color 1: WHITE

Color 2: GREEN

Approvals