

ITEM

**15110CPS40S0L**

**RING-ONE SCØ40X120 1V C.ATT/L**

Product Type

Traps and basket wastes for kitchen sinks

Kitchen sink space-saving traps



Logistic Info

**Pcs per Carton:**

**Qty per Pallet:**

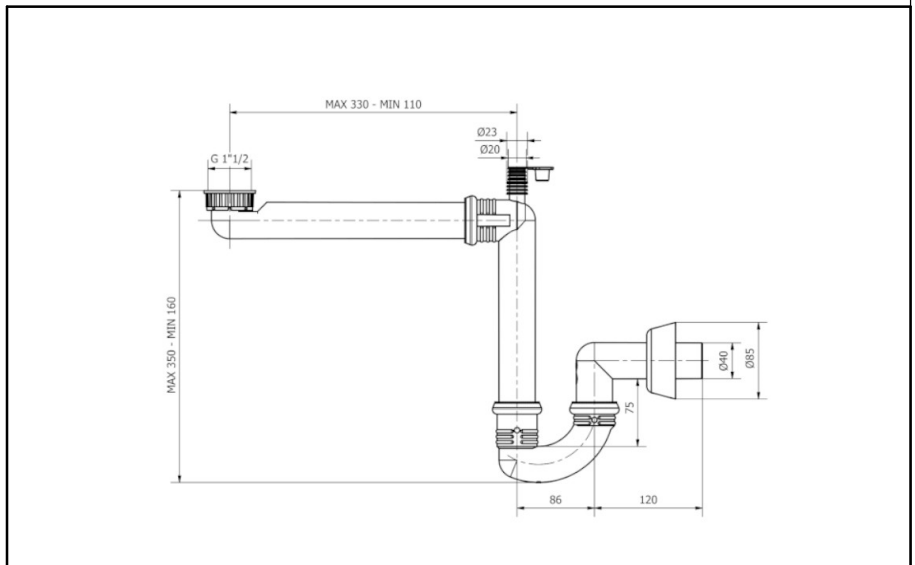
**Unit weight: 0,43800**

**Flow rate Lt/m.:**

ORIGINE: MADE IN ITALY

Cod.EAN13: 8030575066820

Tarif Code :39229000



Tecnichal Details

**Model:** RING-O

**Product:** Space saver traps for single waste kitchen sinks

**Spec 1:** With quick press-fit connections and sylicon washers. With connection for water discharge. For single-bowl kitchen sinks

**Spec 2:** 1"1/2 x ø40 mm

**Material 1:** PP

**Material 2:** Silicone

**Color 1:** WHITE

**Color 2:** GREEN

Approvals