

ITEM

19310NNC64B0X

HOOK FLEX S/TP

Product Type

Traps and basket wastes for kitchen sinks

ø110 kitchen sink wastes

Logistic Info

Pcs per Carton: 25
Qty per Pallet: 25
Unit weight: 0,23950
Flow rate Lt/m.:

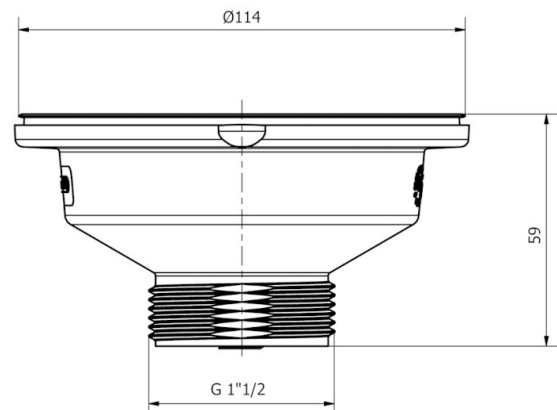
ORIGINE: MADE IN ITALY

Cod.EAN13: 8030575065304

Tarif Code :39229000

Tecnichal Details

Model: HOOK FLEX
Product: drain valve for kitchen sinks
Spec 1: Without overflow, brass bolt, plastic thread. Metal pin and handle.
Spec 2: ø110 mm x 1"1/2
Material 1: PP
Material 2: INOX
Color 1: WHITE
Color 2: BRUSHED



Approvals