

ITEM

6910IX50S9

MXDRN 1V Ø40 SC Ø50 IX 10X10

Product Type

Floor drains

Odour traps



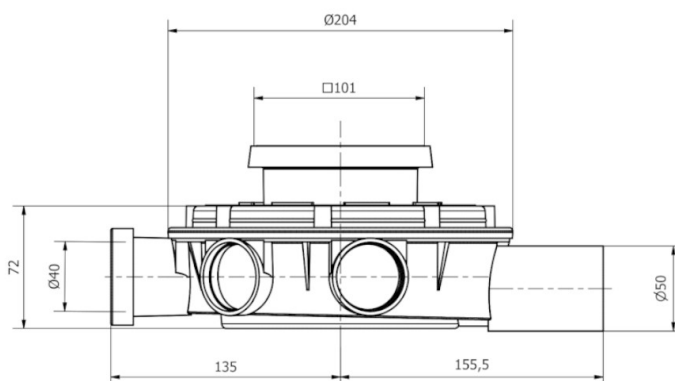
Logistic Info

Pcs per Carton: 20
Qty per Pallet:
Unit weight: 0,68686
Flow rate Lt/m.: 31,00

ORIGINE: MADE IN ITALY

Cod.EAN13: 8030575067605

Tarif Code :39229000



Tecnichal Details

Model: MAXI - DRAIN

Product: Drains with mechanical odour trap

Spec 1: Standard 10 x 10 cm flange, Mechanical odour trap in sylicone (NRV)

Spec 2: Outlet ø 50 mm, H 70 mm, 1 inlet ø 40 mm

Material 1: PP

Material 2: INOX

Color 1: BLACK

Color 2: METAL

Approvals