

ITEM

9640RP64B0

JOLLYONE C/PIL ø 80 MM X ø 40

Product Type

Flexible hoses

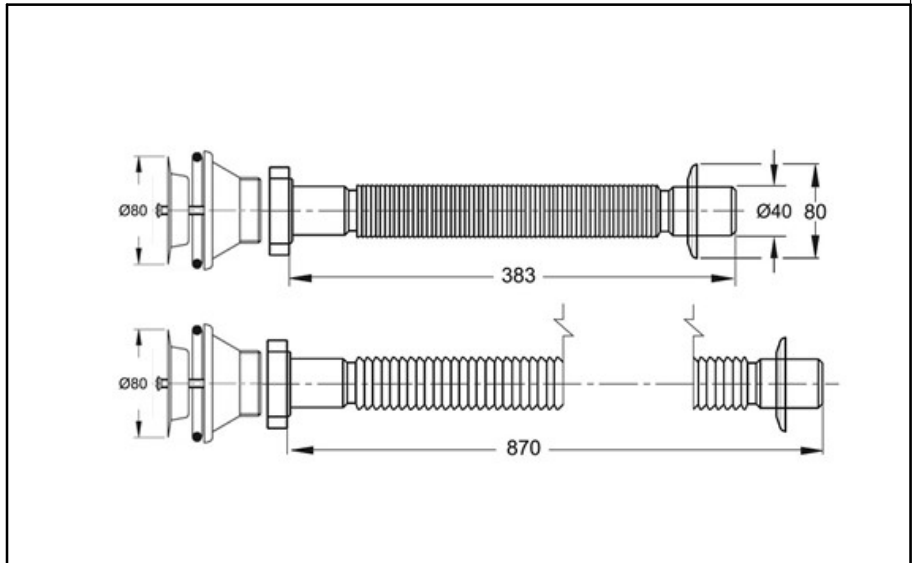
Flexible hoses



Logistic Info

Pcs per Carton: 75
Qty per Pallet: 75
Unit weight: 0,18200
Flow rate Lt/m.:

ORIGINE: MADE IN ITALY
Cod.EAN13: 8030575038452
Tarif Code :39229000



Tecnichal Details

Model: JOLLYONE
Product: Flexible hoses with strainers
Spec 1: With rosette
Spec 2: ø 80 mm x ø 40 mm
Material 1: PP
Material 2: INOX
Color 1:
Color 2:

Approvals