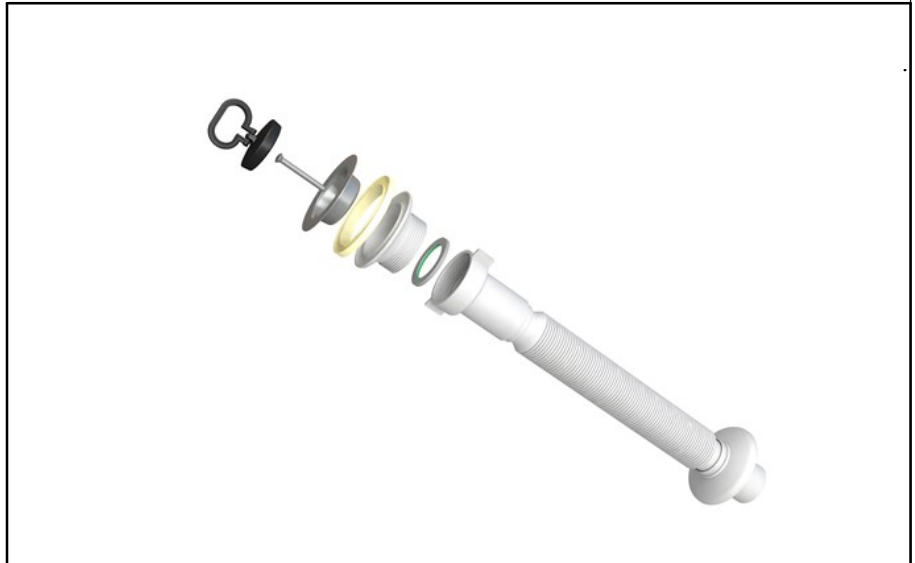


ITEM

9532RP54B0

JOLLYONE C/PIL Ø 65 MM X Ø 32

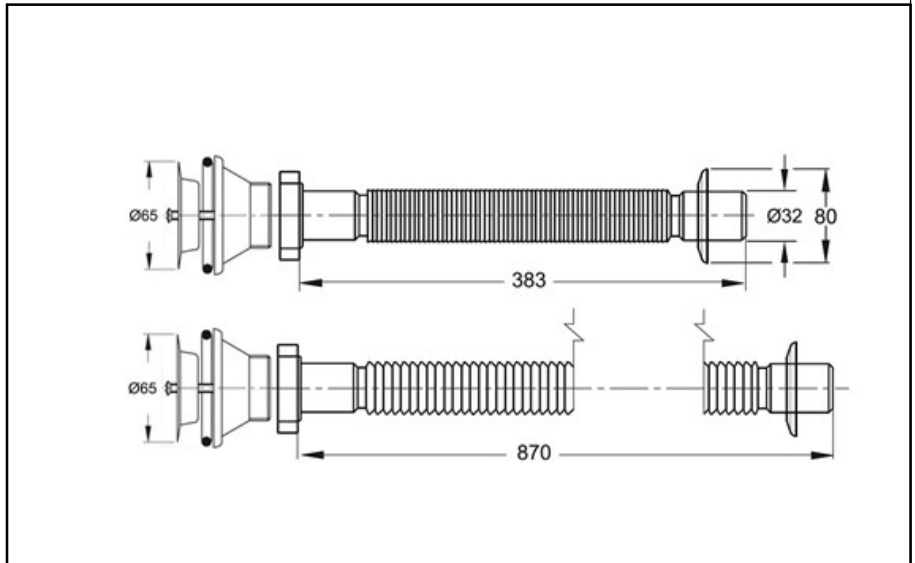
Product Type



Logistic Info

Pcs per Carton: 140
Qty per Pallet: 140
Unit weight: 0,14500
Flow rate Lt/m.:

ORIGINE: MADE IN ITALY
Cod.EAN13: 8030575037257
Tarif Code :39229000



Tecnichal Details

Model: JOLLYONE
Product: Flexible hoses with strainers
Spec 1: With rosette
Spec 2: ø 65 mm x ø 32 mm
Material 1: PP
Material 2: INOX
Color 1:
Color 2:

Approvals