

ITEM

**9390FF40B0**

**MAGIKONE BICCHIERAT Ø40XØ40**

Product Type



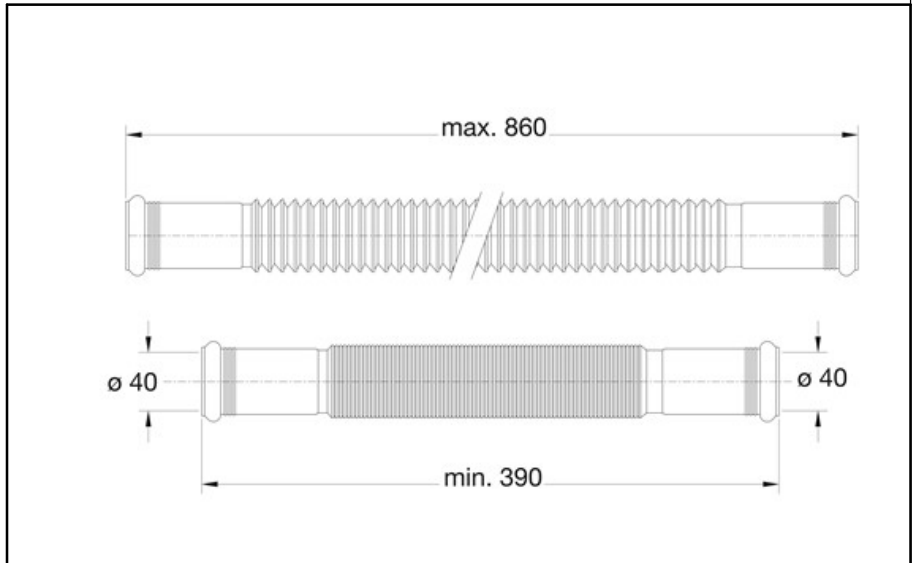
Logistic Info

**Pcs per Carton:** 50  
**Qty per Pallet:** 50  
**Unit weight:** 0,14400  
**Flow rate Lt/m.:**

ORIGINE: MADE IN SERBIA

Cod.EAN13: 8030575029627

Tarif Code :39229000



Tecnichal Details

**Model:** MAGIKONE  
**Product:** Flexible hoses with special connections  
**Spec 1:** length : 900 mm  
**Spec 2:** ø 40 mm X ø 40 mm  
**Material 1:** PP  
**Material 2:**  
**Color 1:**  
**Color 2:**

Approvals