

ITEM

9340RS64B7

MAGIKONE CROMO 1"1/2 X Ø 40 MM

Product Type

Flexible hoses

Flexible hoses

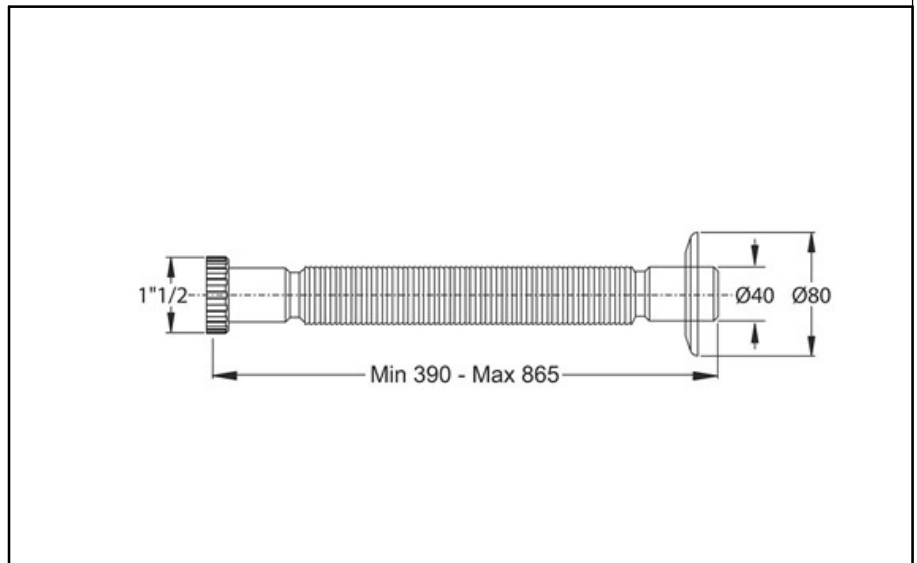
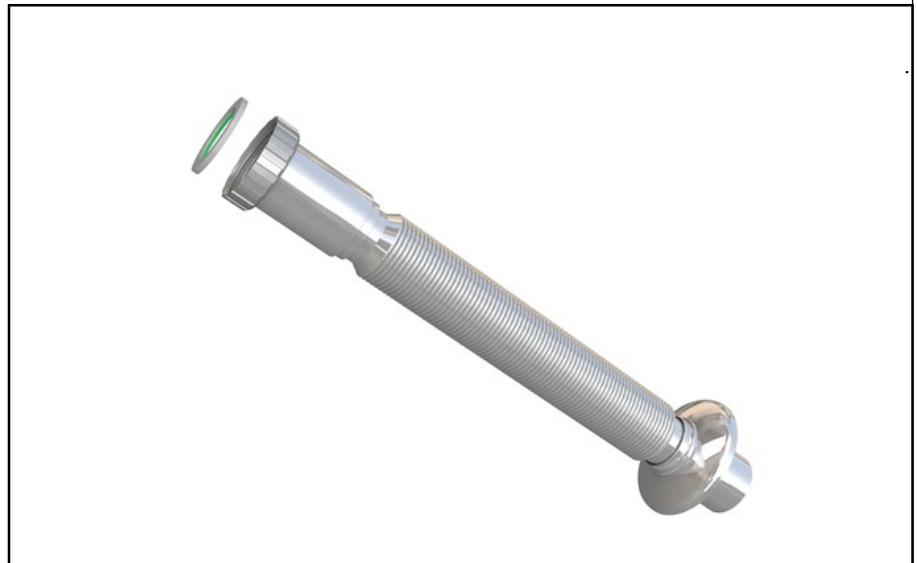
Logistic Info

Pcs per Carton: 50
Qty per Pallet: 50
Unit weight: 0,12600
Flow rate Lt/m.:

ORIGINE: MADE IN CINA
Cod.EAN13: 8030575035147
Tarif Code :39229000

Tecnichal Details

Model: MAGIKONE
Product: Flexible hoses with metallic finishing
Spec 1: BI-POWER washers / with rosette
Spec 2: 1"1/2 x ø 40 mm
Material 1: PP
Material 2: ALUMINUM
Color 1:
Color 2:



Approvals