

ITEM

**9020RD64B0**

**PASSEPARTOUT F Ø 40 X F Ø 32**

Product Type

Hidraulic systems components

Plastic-made fittings



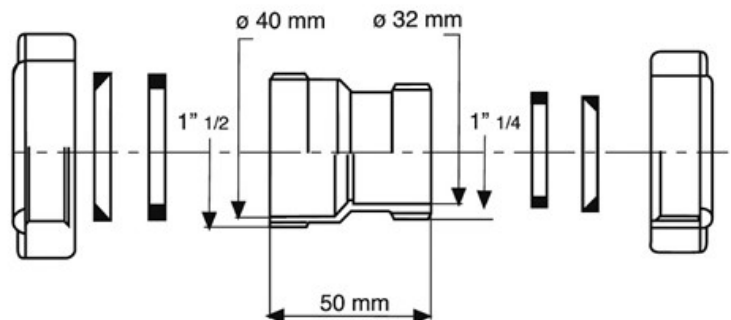
Logistic Info

**Pcs per Carton:** 50  
**Qty per Pallet:** 1  
**Unit weight:** 0,03800  
**Flow rate Lt/m.:**

ORIGINE: MADE IN ITALY

Cod.EAN13: 8030575024288

Tarif Code :39229000



Tecnichal Details

**Model:** PASSEPARTOUT  
**Product:** Siphons adaptors  
**Spec 1:** Female-Female reduction  
**Spec 2:** F Ø 40 mm x F Ø 32 mm  
**Material 1:** PP  
**Material 2:**  
**Color 1:**  
**Color 2:**

Approvals