

ITEM

8422PP11C0

PROLUNGA 22° SCARICO Ø110

Product Type

WC connectors

WC Extensions

Logistic Info

Pcs per Carton: 20

Qty per Pallet:

Unit weight: 0,14800

Flow rate Lt/m.:

ORIGINE: MADE IN ITALY

Cod.EAN13: 8030575057231

Tarif Code :39229000

Tecnichal Details

Model: BENT CONNECTION

Product: WC bent connections

Spec 1: WC 22° elbow

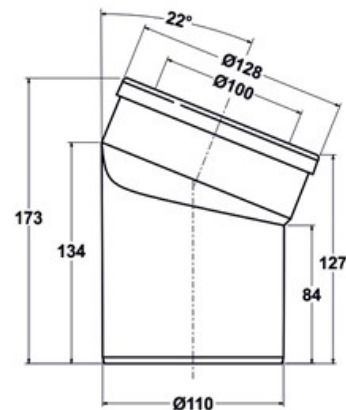
Spec 2: Inlet ø 80-110 mm Outlet ø 110 mm

Material 1: PP

Material 2: TPE

Color 1: WHITE

Color 2: YELLOW



Approvals