

ITEM

**7830UN32B0**

**WALLTRAP Ø 16 -18 - 20 MM**

Product Type

Condensate drains and fittings

Condensate traps



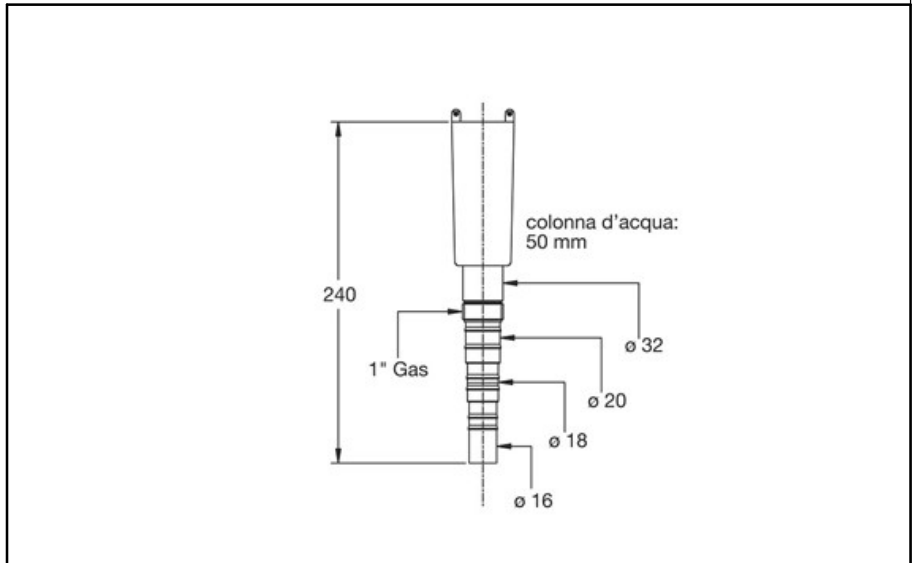
Logistic Info

**Pcs per Carton:** 25  
**Qty per Pallet:** 25  
**Unit weight:** 0,10400  
**Flow rate Lt/m.:**

ORIGINE: MADE IN SERBIA

Cod.EAN13: 8030575029634

Tarif Code :39229000



Tecnichal Details

**Model:** WALLTRAP  
**Product:** condensating water odour trap  
**Spec 1:** Universal version: concealed in-wall or at sight  
**Spec 2:** ø 16 -18 - 20 mm  
**Material 1:** PP  
**Material 2:**  
**Color 1:** WHITE  
**Color 2:**

Approvals