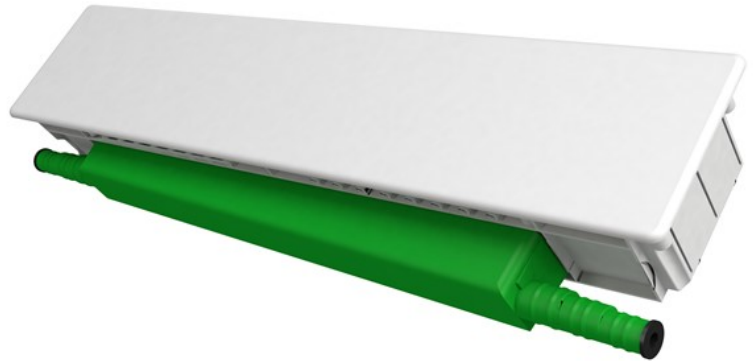


ITEM

7810PA50K2

WALLBOX CM 52

Product Type



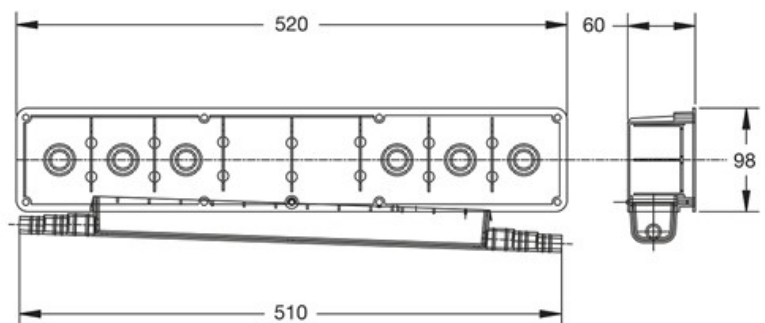
Logistic Info

Pcs per Carton: 20
Qty per Pallet: 20
Unit weight: 0,81360
Flow rate Lt/m.:

ORIGINE: MADE IN CINA
Cod.EAN13: 8030575030241
Tarif Code :39229000

Tecnichal Details

Model: WALLBOX
Product: Air-conditioning device condensating water catcher
Spec 1: Double connecting nozzle
Spec 2: 52 cm long box
Material 1: PS
Material 2: PE
Color 1: WHITE
Color 2: GREEN



Approvals