

ITEM

6956CX50S9

MAXIDRAIN 5 ENTRATE SC Ø50

Product Type

Floor drains

Odour traps

Logistic Info

Pcs per Carton: 8
Qty per Pallet: 8
Unit weight: 0,82000
Flow rate Lt/m.:

ORIGINE: MADE IN ITALY

Cod.EAN13: 8030575040073

Tarif Code :39229000

Tecnichal Details

Model: MAXI - DRAIN

Product: Drains with mechanical odour trap

Spec 1: Standard 15 x 15 cm flange, Mechanical odour trap in sylicone (NRV)

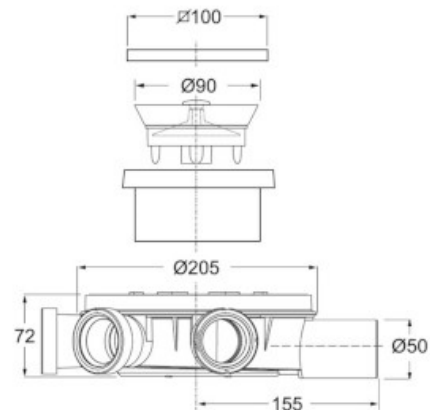
Spec 2: Outlet ø 50 mm, H 70 mm, 5 Inlets ø 50 mm

Material 1: PP

Material 2: INOX

Color 1: BLACK

Color 2: METAL



Approvals