

ITEM

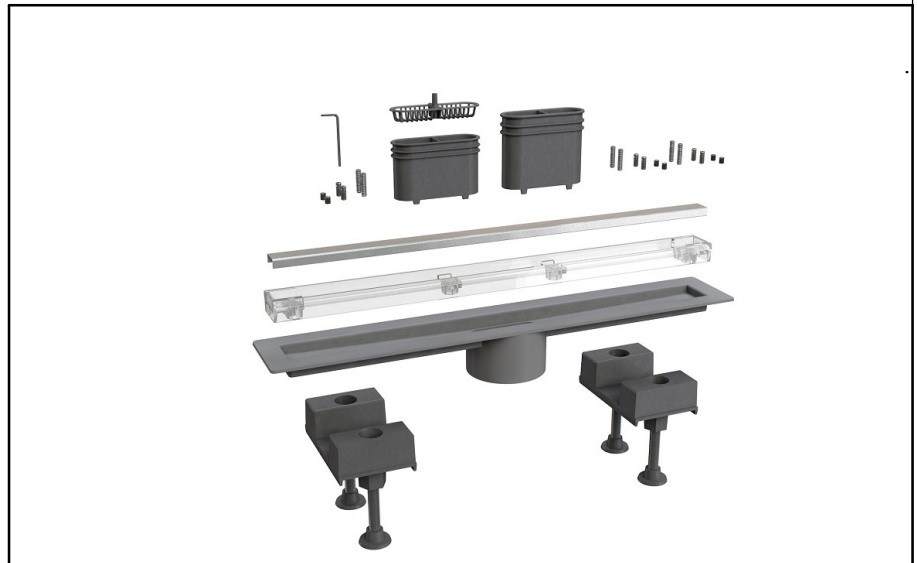
**6895MX50S**

**CANALISSIMA MX CENTRALE L.50CM**

Product Type

Channel drains

Channel drain with Mixage grid



Logistic Info

**Pcs per Carton:**

**Qty per Pallet:**

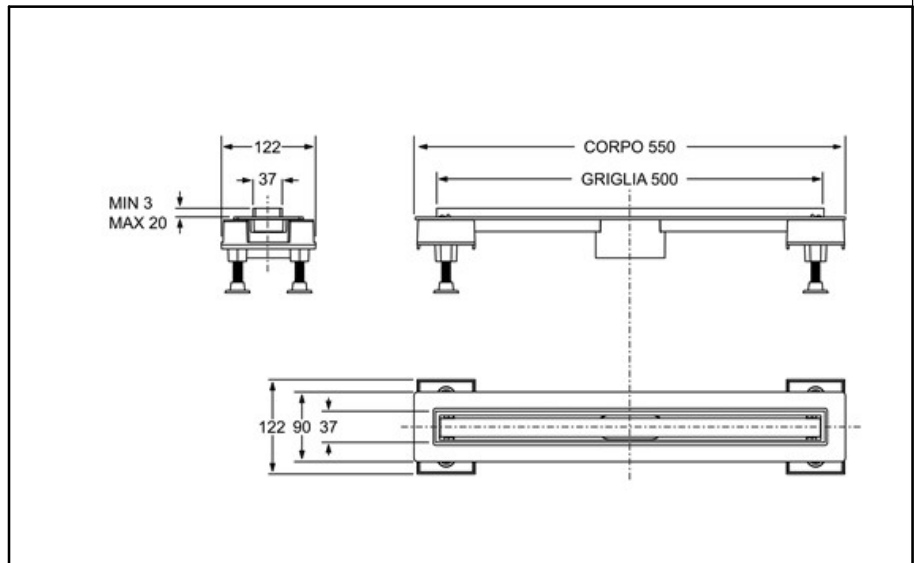
**Unit weight:** 1,11300

**Flow rate Lt/m.:**

ORIGINE: MADE IN ITALY

Cod.EAN13: 8030575054254

Tarif Code :73249000



Tecnichal Details

**Model:** CANALISSIMA - MIXAGE - CENTRALE

**Product:** Channel drains with central outlet

**Spec 1:** "MIXAGE" adjustable tileable grid with PMMA frame and stainless steel AISI316 insert

**Spec 2:** L 50 cm

**Material 1:** INOX

**Material 2:** ABS

**Color 1:** BRUSHED

**Color 2:** TRANSPARENT

Approvals