

ITEM

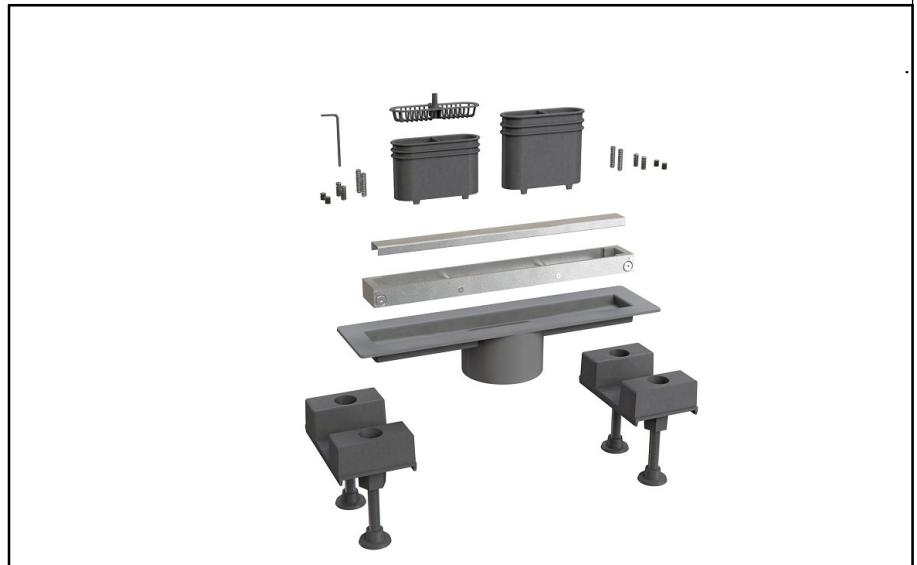
**6895AC30S**

**CANALISSIMA AC CENTRALE L.30CM**

Product Type

Channel drains

Channel drains with stainless steel grid



Logistic Info

**Pcs per Carton:**

**Qty per Pallet:**

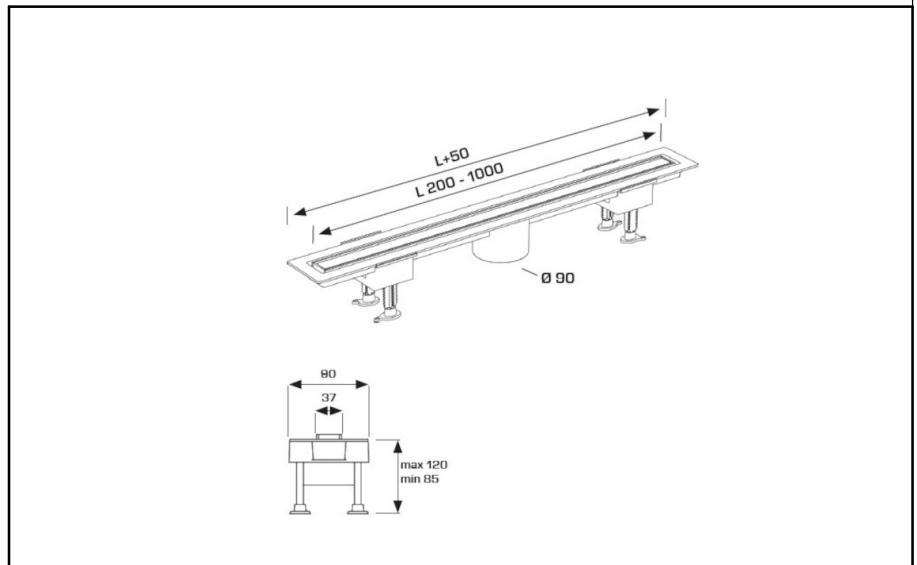
**Unit weight: 0,68300**

**Flow rate Lt/m.:**

ORIGINE: MADE IN ITALY

Cod.EAN13: 8030575042039

Tarif Code :73249000



Tecnichal Details

**Model:** CANALISSIMA - ACCIAIO - CENTRALE

**Product:** Channel drains with central outlet

**Spec 1:** "DOUBLE FACE" adjustable full stainless steel AISI316 tileable grid

**Spec 2:** L 30 cm

**Material 1:** INOX

**Material 2:** ABS

**Color 1:** BRUSHED

**Color 2:** BLACK

Approvals