

ITEM

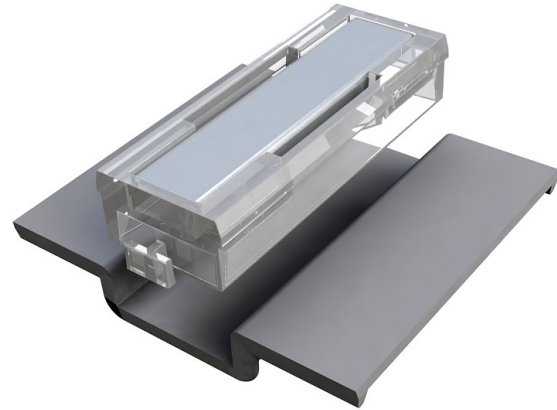
6835MX10S

PONTE 10CM CANALISSIMA MX

Product Type

Channel drains

Channel drains - Custom



Logistic Info

Pcs per Carton:

Qty per Pallet:

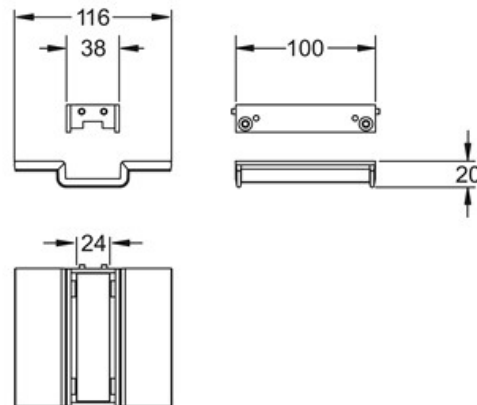
Unit weight: 0,12300

Flow rate Lt/m.:

ORIGINE: MADE IN ITALY

Cod.EAN13: 8030575054247

Tarif Code :73249000



Tecnichal Details

Model: ACCESSORIES

Product: Bridge for "CANALISSIMA"

Spec 1: With tileable grid

Spec 2: 10 cm long

Material 1: INOX

Material 2: ABS

Color 1: BRUSHED

Color 2: TRANSPARENT

Approvals