

ITEM

6825KX30S

CANALISSIMA MX FULL KIT L.30CM

Product Type

Channel drains

Channel drains - kit

Logistic Info

Pcs per Carton:

Qty per Pallet:

Unit weight: 1,26500

Flow rate Lt/m.: 28,00

ORIGINE: MADE IN ITALY

Cod.EAN13: 8030575041179

Tarif Code :73249000

Tecnichal Details

Model: CANALISSIMA KIT - MIXAGE - DELUXE

Product: Channel drains with central outlet

Spec 1: "MIXAGE" adjustable tileable grid with PMMA frame and stainless steel AISI316 insert, waterproofing material and "SOGLIOLA" siphon

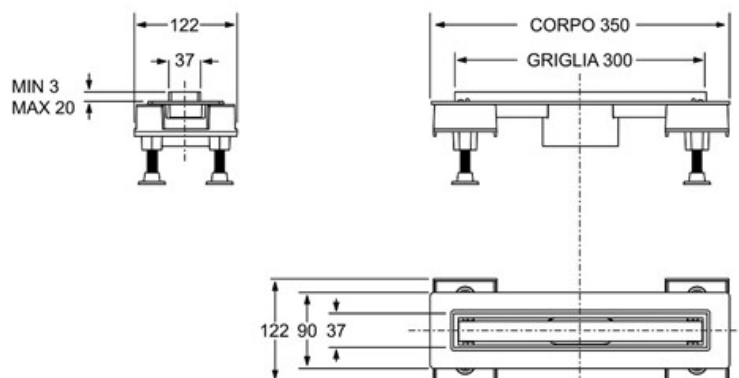
Spec 2: L 30 cm

Material 1: INOX

Material 2: ABS

Color 1: BRUSHED

Color 2: TRANSPARENT



Approvals