

ITEM

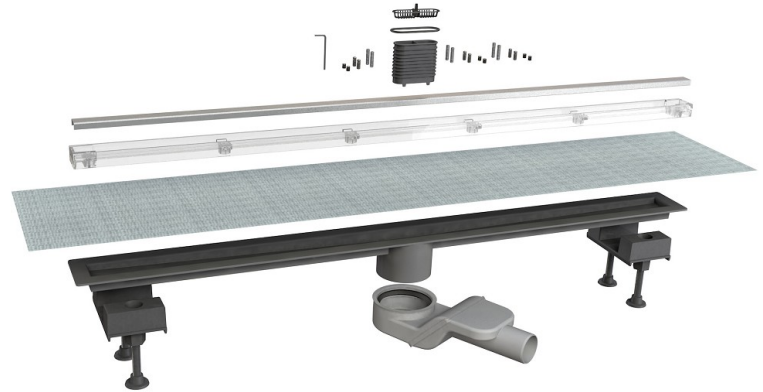
6825HX100S

CANALISSIMA MX KIT ORIZ L100CM

Product Type

Channel drains

Channel drains - kit



Logistic Info

Pcs per Carton:

Qty per Pallet:

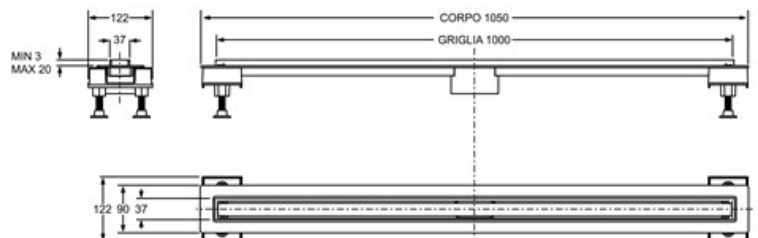
Unit weight: 2,65000

Flow rate Lt/m.:

ORIGINE: MADE IN ITALY

Cod.EAN13: 8030575054377

Tarif Code :73249000



Tecnichal Details

Model: CANALISSIMA KIT - MIXAGE

Product: Channel drains with central outlet

Spec 1: "MIXAGE" adjustable tileable grid with PMMA frame and stainless steel AISI316 insert, waterproofing material and "SOGLIOLA" siphon

Spec 2: L 100 cm

Material 1: INOX

Material 2: ABS

Color 1: BRUSHED

Color 2: TRANSPARENT

Approvals