

ITEM

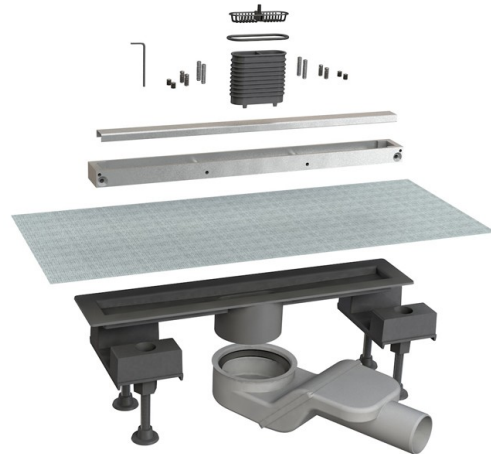
**6825HC40S**

**CANALISSIMA AC KIT ORIZ L40CM**

Product Type

Channel drains

Channel drains - kit



Logistic Info

**Pcs per Carton:**

**Qty per Pallet:**

**Unit weight: 1,78000**

**Flow rate Lt/m.:**

ORIGINE: MADE IN ITALY

Cod.EAN13: 8030575055510

Tarif Code :73249000

Tecnichal Details

**Model:** CANALISSIMA KIT- ACCIAIO

**Product:** Channel drains with central outlet

**Spec 1:** "DOUBLE FACE" adjustable full stainless steel AISI316 tileable grid, waterproofing material and "SOGLIOLA" siphon

**Spec 2:** L 40 cm

**Material 1:** INOX

**Material 2:** ABS

**Color 1:** BRUSHED

**Color 2:** BLACK

Approvals