

ITEM

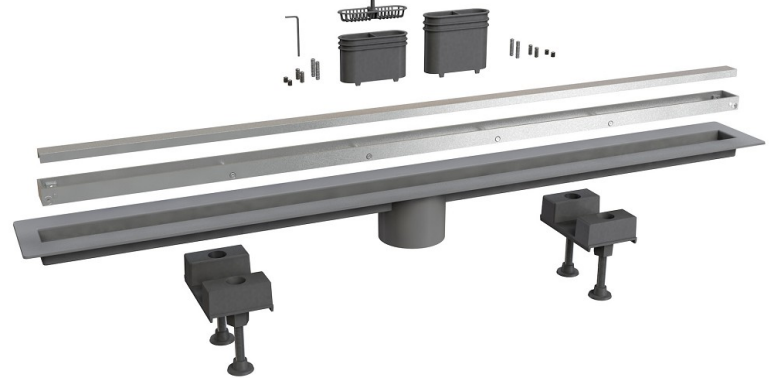
6825AL100S

CANALISSIMA AL SC LAT L.100 CM

Product Type

Channel drains

Channel drains with aluminum grid



Logistic Info

Pcs per Carton:

Qty per Pallet:

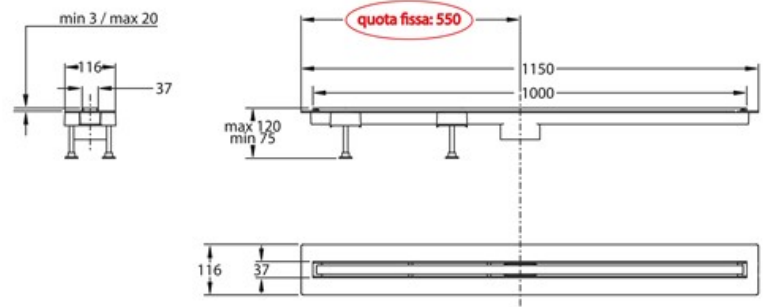
Unit weight: 2,16500

Flow rate Lt/m.:

ORIGINE: MADE IN ITALY

Cod.EAN13: 8030575038230

Tarif Code :76169990



Tecnichal Details

Model: CANALISSIMA - ALLUMINIO - LATERALE

Product: Channel drains with side outlet

Spec 1: "DOUBLE FACE" adjustable full aluminium tileable grid

Spec 2: L 100 cm

Material 1: ALUMINUM

Material 2: ABS

Color 1: BRUSHED

Color 2: BLACK

Approvals