

ITEM

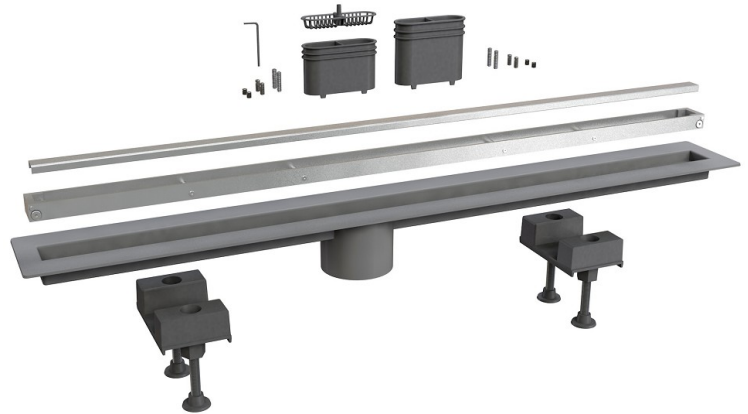
6825AC90S

CANALISSIMA AC SC LAT L.90 CM

Product Type

Channel drains

Channel drains with stainless steel grid



Logistic Info

Pcs per Carton:

Qty per Pallet:

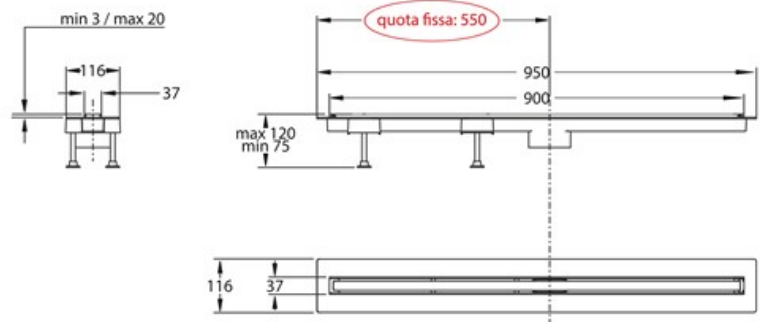
Unit weight: 2,46900

Flow rate Lt/m.:

ORIGINE: MADE IN ITALY

Cod.EAN13: 8030575040899

Tarif Code :73249000



Tecnichal Details

Model: CANALISSIMA - ACCIAIO - LATERALE

Product: Channel drains with side outlet

Spec 1: "DOUBLE FACE" adjustable full stainless steel AISI316 tileable grid

Spec 2: L 90 cm

Material 1: INOX

Material 2: ABS

Color 1: BRUSHED

Color 2: BLACK

Approvals