

ITEM

6822AR85B4

VALVOLA A MEMBRANA CANALISSIMA

Product Type

Channel drains

Channel drain traps and accessories



Logistic Info

Pcs per Carton:

Qty per Pallet:

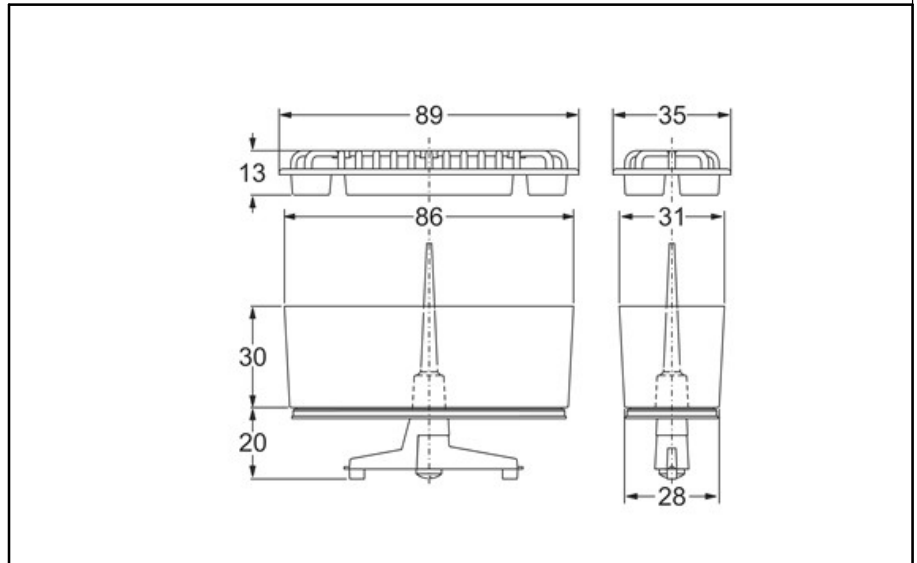
Unit weight: 0,03200

Flow rate Lt/m.:

ORIGINE: MADE IN CINA

Cod.EAN13: 8030575055329

Tarif Code :39229000



Tecnichal Details

Model: NRV

Product: Mechanical odour trap in silicone

Spec 1: Suitable for very cold (ice) or very hot (evaporation) weathers

Spec 2: Dry odour trap

Material 1: ABS

Material 2: SYLICONE

Color 1: BLACK

Color 2: GREEN

Approvals