

ITEM

**6770EC40B2**

**SOGLIOLA SCARICO Ø 40 MM**

Product Type

Channel drains

Channel drain traps and accessories



Logistic Info

**Pcs per Carton:**

**Qty per Pallet:**

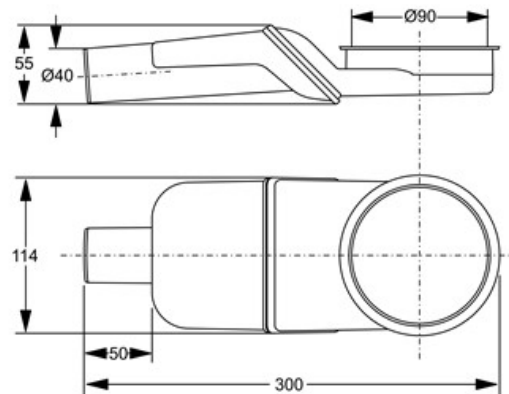
**Unit weight: 0,17810**

**Flow rate Lt/m.: 29,50**

ORIGINE: MADE IN SERBIA

Cod.EAN13: 8030575041322

Tarif Code :39229000



Tecnichal Details

**Model:** SOGLIOLA

**Product:** Channel drain traps

**Spec 1:** With sealing O-ring

**Spec 2:** Outlet ø 40 mm, H 55 mm

**Material 1:** PP

**Material 2:**

**Color 1:** GREY

**Color 2:**

Approvals