

ITEM

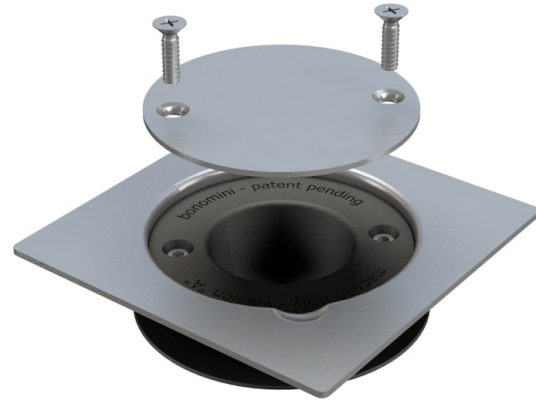
6640IX10S

MAGIKGRID 10X10 CIECA 2PZI

Product Type

Floor drains

Stainless steel grids and tile-holders



Logistic Info

Pcs per Carton: 58
Qty per Pallet: 58
Unit weight: 0,22737
Flow rate Lt/m.:

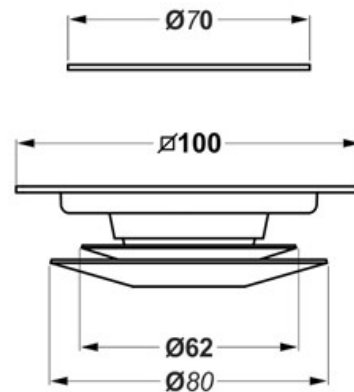
ORIGINE: MADE IN ITALY

Cod.EAN13: 8030575057224

Tarif Code :73249000

Tecnichal Details

Model: MAGIK-GRID
Product: Universal stainless steel floor drain
Spec 1: With bolted clean-out cover, for pipes from \varnothing 2" to \varnothing 3"
Spec 2: 10 x 10 cm
Material 1: Stainless steel AISI 305
Material 2: PVC
Color 1: POLISHED
Color 2: BLACK



Approvals