

ITEM

6560PP17C2-R

POZZETTO RG ALTO H170 SC Ø 50

Product Type

Floor drains

Floor gullies and expander plugs



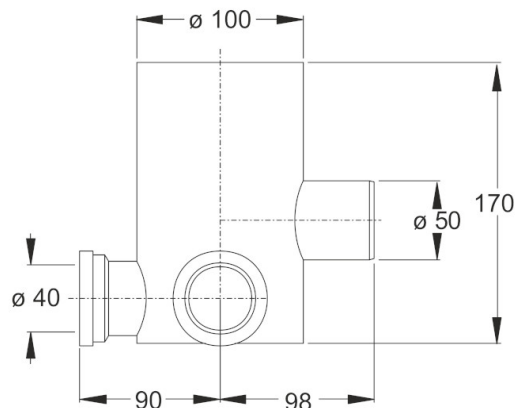
Logistic Info

Pcs per Carton: 25
Qty per Pallet: 1
Unit weight: 0,31000
Flow rate Lt/m.: 90,30

ORIGINE: MADE IN ITALY

Cod.EAN13: 8030575061344

Tarif Code :39229000



Tecnichal Details

Model: FLOOR GULLIES

Product: Short floor gullies

Spec 1: 4 ways: one outlet and 3 flanged inlets with sealing o-rings, recycled material

Spec 2: Short H 170 mm, outlet Ø 50

Material 1: PP

Material 2:

Color 1: GREY

Color 2:

Approvals