

ITEM

6315IX50S9

MNDRN PAVIMENTO Ø50 IX 15X15

Product Type

Floor drains

Odour traps

Logistic Info

Pcs per Carton: 10
Qty per Pallet: 10
Unit weight: 0,81200
Flow rate Lt/m.:

ORIGINE: MADE IN ITALY

Cod.EAN13: 8030575061658

Tarif Code :39229000

Tecnichal Details

Model: MIDI-DRAIN

Product: Drains with mechanical odour trap

Spec 1: Standard 15 x 15 cm flange, Mechanical odour trap in sylicone (NRV)

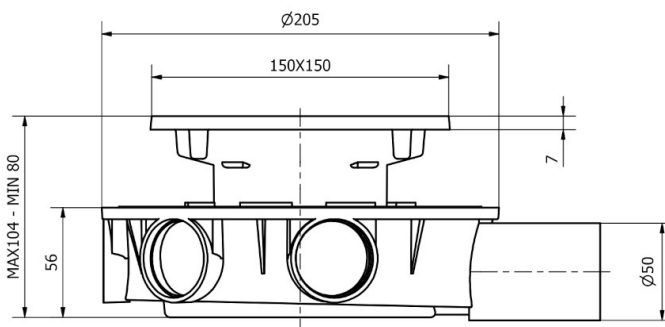
Spec 2: Outlet ø 50 mm, H 57 mm

Material 1: PP

Material 2: INOX

Color 1: BLACK

Color 2: METAL



Approvals