

ITEM

6315IX40S9

MNDRN PAVIMENTO Ø40 IX 15X15

Product Type

Floor drains

Odour traps



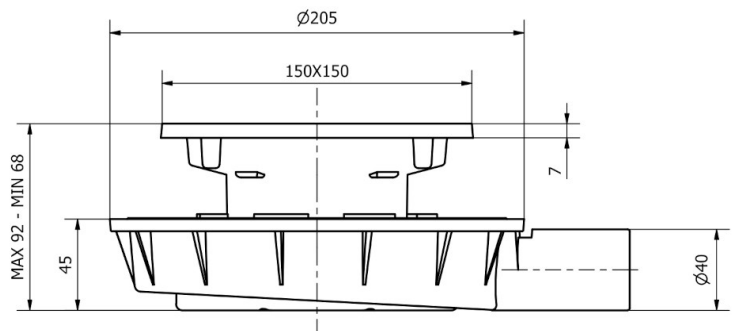
Logistic Info

Pcs per Carton: 10
Qty per Pallet: 10
Unit weight: 0,75900
Flow rate Lt/m.: 31,00

ORIGINE: MADE IN ITALY

Cod.EAN13: 8030575061641

Tarif Code :39229000



Tecnichal Details

Model: MINI-DRAIN

Product: Drains with mechanical odour trap

Spec 1: Standard 15 x 15 cm flange, Mechanical odour trap in sylicone (NRV)

Spec 2: Outlet ø 40 mm, H 45 mm

Material 1: PP

Material 2: INOX

Color 1: BLACK

Color 2: METAL

Approvals