

ITEM

6314PV50S2

MINIDRAIN CANALISSIMA Ø 50 MM

Product Type

Channel drains

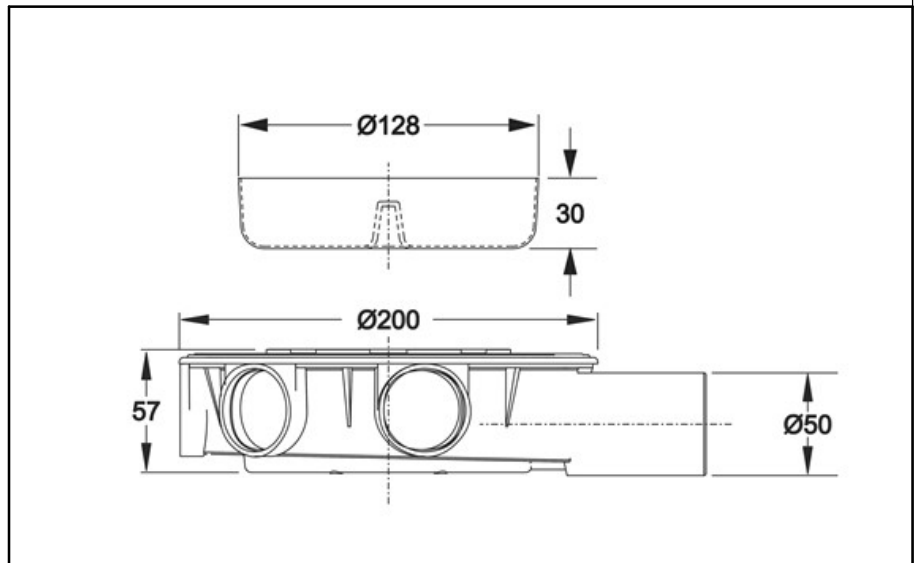
Channel drain traps and accessories



Logistic Info

Pcs per Carton: 10
Qty per Pallet:
Unit weight: 0,54000
Flow rate Lt/m.:

ORIGINE: MADE IN ITALY
Cod.EAN13: 8030575035826
Tarif Code :39229000



Tecnichal Details

Model: MINI-DRAIN

Product: Channel drain traps

Spec 1: Flat floor odour trap, with chemicals and temperature resistant
silicon water container, glueable to the waterproof layer

Spec 2: Outlet ø 50 mm, H 57 mm

Material 1: PP

Material 2: SYLICONE

Color 1: BLACK

Color 2: GREEN

Approvals