

ITEM

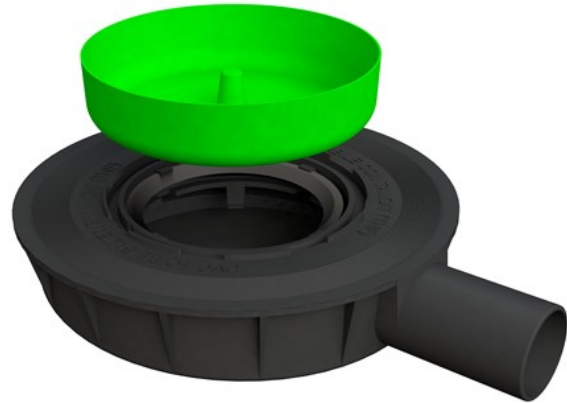
6314PV40S2

MINIDRAIN CANALISSIMA Ø 40 MM

Product Type

Channel drains

Channel drain traps and accessories



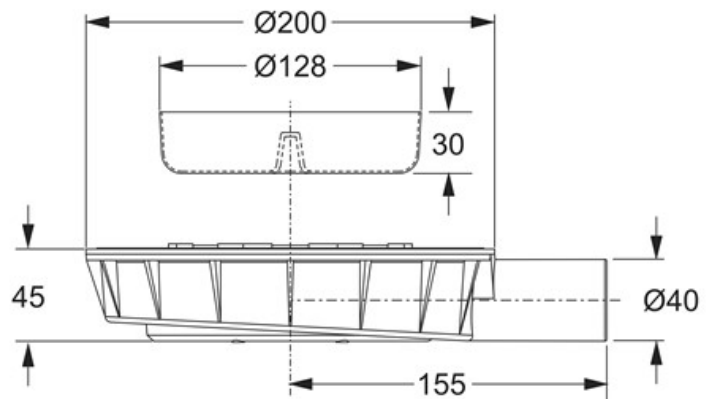
Logistic Info

Pcs per Carton: 20
Qty per Pallet:
Unit weight: 0,41500
Flow rate Lt/m.: 31,00

ORIGINE: MADE IN ITALY

Cod.EAN13: 8030575035819

Tarif Code :39229000



Tecnichal Details

Model: MINI-DRAIN

Product: Channel drain traps

Spec 1: Flat floor odour trap, with chemicals and temperature resistant silicon water container, glueable to the waterproof layer

Spec 2: Outlet ø 40 mm, H 45 mm

Material 1: PP

Material 2: SYLICONE

Color 1: BLACK

Color 2: GREEN

Approvals