

ITEM

6298MX10S7

VERTIGO RV10X10 Ø50 NRV H15

Product Type

Floor drains

Stainless steel grids and tile-holders



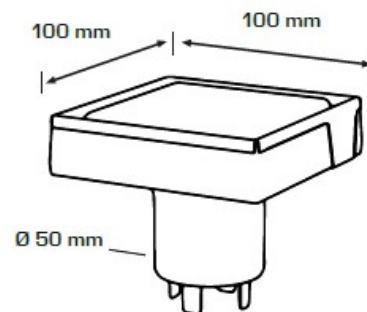
Logistic Info

Pcs per Carton: 25
Qty per Pallet: 25
Unit weight: 0,30000
Flow rate Lt/m.:

ORIGINE: MADE IN ITALY

Cod.EAN13: 8030575062242

Tarif Code :39229000



Tecnichal Details

Model: VERTIGO
Product: Tile-holder with vertical outlet.
Spec 1: With stainless steel tileable grid and silicon non-return valve (NRV)
Spec 2: ø 50 mm, cm 10x10
Material 1: ABS
Material 2: INOX
Color 1: BLACK
Color 2: Mirror finish

Approvals