

ITEM

6229AR90B4

NRV PAV DA Ø 80 MM A Ø 90 MM

Product Type

Floor drains

Floor drains spare parts



Logistic Info

Pcs per Carton:

Qty per Pallet:

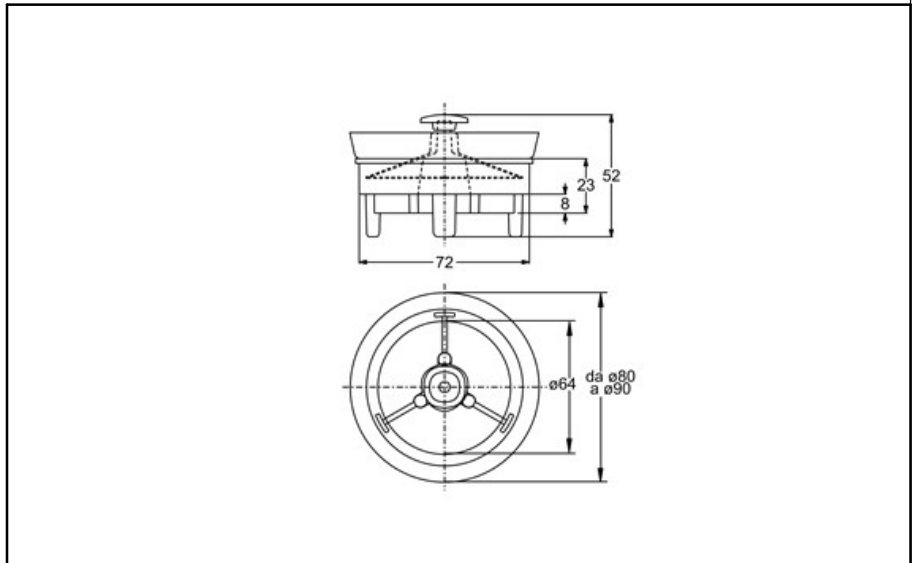
Unit weight: 0,05100

Flow rate Lt/m.:

ORIGINE: MADE IN CINA

Cod.EAN13: 8030575039817

Tarif Code :39229000



Tecnichal Details

Model: NRV

Product: Sylicon anti-smell mechanical valve

Spec 1: Universal retro-fit for floor drains

Spec 2: ø 80 mm to ø 90 mm

Material 1: ABS

Material 2: SYLICONE

Color 1: WHITE

Color 2: GREEN

Approvals