

ITEM

**6020AR10B2**

**EASTDRAIN SC ORIZ Ø 50 MM**

Product Type

Floor drains

Odour traps



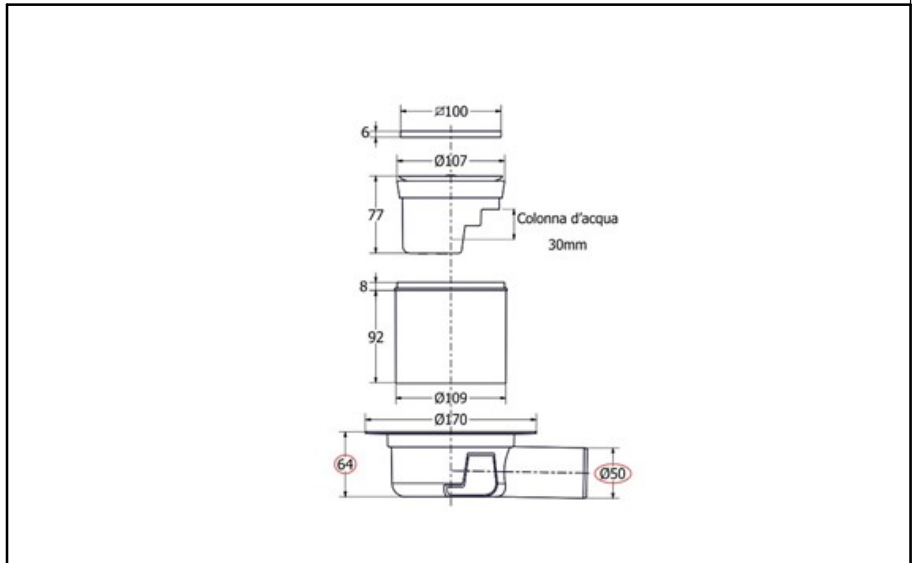
Logistic Info

**Pcs per Carton:** 20  
**Qty per Pallet:**  
**Unit weight:** 0,41500  
**Flow rate Lt/m.:** 47,50

ORIGINE: MADE IN ITALY

Cod.EAN13: 8030575059631

Tarif Code :39229000



Tecnichal Details

**Model:** EAST-DRAIN  
**Product:** Drains with mechanical odour trap  
**Spec 1:** 10 x 10 cm grid.  
**Spec 2:** Horizontal outlet ø 50 mm  
**Material 1:** PP  
**Material 2:** INOX  
**Color 1:** GREY  
**Color 2:** METAL

Approvals