

ITEM

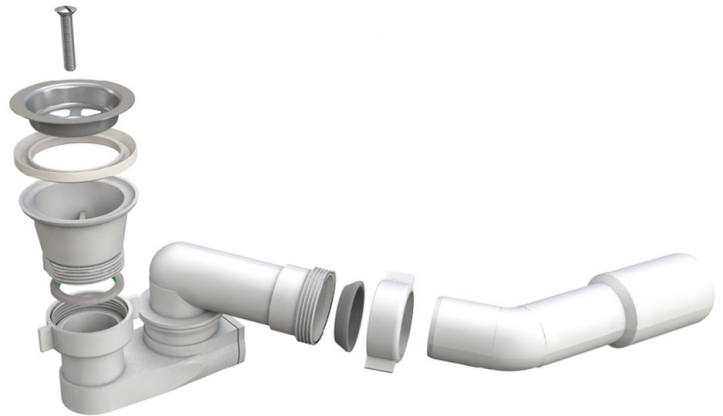
5514WZ45B0

SC. DOCCIA ORIENTABILE Ø70

Product Type

Shower-tray traps

Ø 60 mm shower traps



Logistic Info

Pcs per Carton: 25

Qty per Pallet:

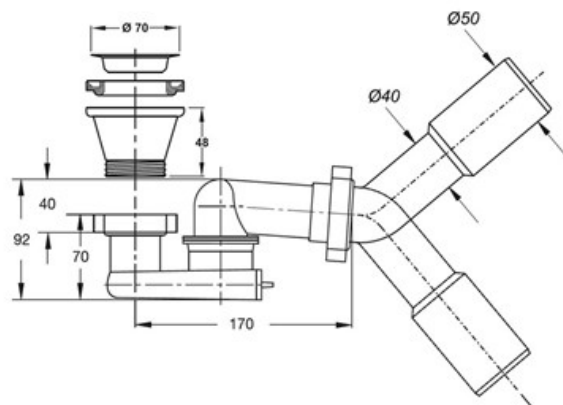
Unit weight: 0,25200

Flow rate Lt/m.:

ORIGINE: MADE IN ITALY

Cod.EAN13: 8030575057781

Tarif Code :39229000



Tecnichal Details

Model: LOW-FLAT

Product: Adjustable trap for shower plates

Spec 1: Inox grid ø 70 mm

Spec 2: 1"1/2 x ø 40/50 mm

Material 1: PP

Material 2: INOX

Color 1: WHITE

Color 2: POLISHED

Approvals