

ITEM

5484CR80B9

SPLASH TAPPO CROMO SC Ø 40-50

Product Type

Shower-tray traps

Ø 60 mm shower traps



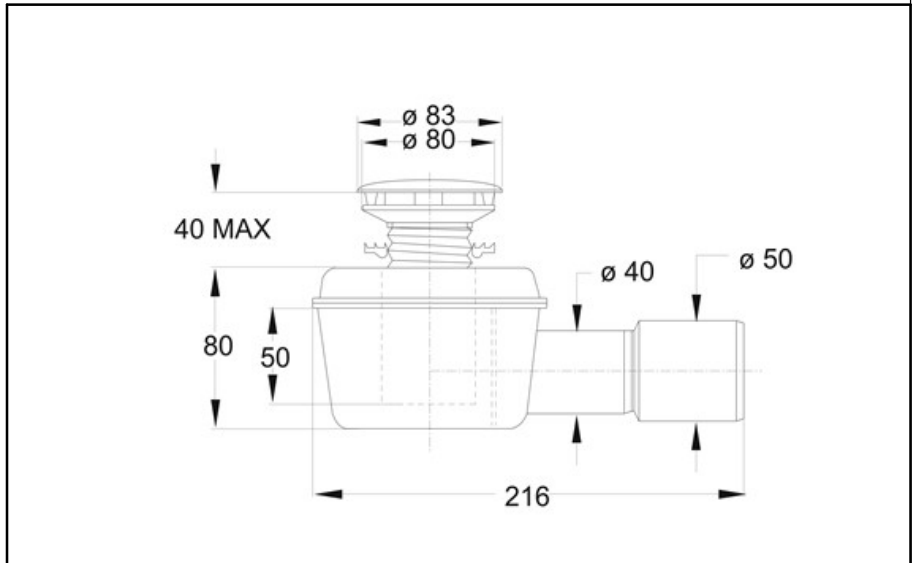
Logistic Info

Pcs per Carton: 25
Qty per Pallet: 25
Unit weight: 0,28500
Flow rate Lt/m.: 49,10

ORIGINE: MADE IN ITALY

Cod.EAN13: 8030575021638

Tarif Code :39229000



Tecnichal Details

Model: SPLASH
Product: flanged odour trap for shower
Spec 1: Flanged waste Ø 80 mm, chrome-plated cover
Spec 2: Outlet Ø 40-50 mm
Material 1: PEHD
Material 2: ABS
Color 1: BLACK
Color 2: CHROMED

Approvals