

ITEM

**5480CR80B9**

**SPLASH Ø 80 MM SCARICO Ø 40-50**

Product Type



Logistic Info

**Pcs per Carton:** 25  
**Qty per Pallet:** 25  
**Unit weight:** 0,38700  
**Flow rate Lt/m.:** 40,90

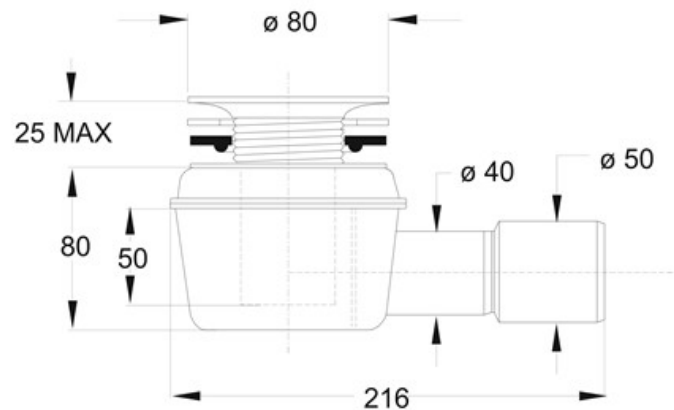
ORIGINE: MADE IN ITALY

Cod.EAN13: 8030575021591

Tarif Code :74198090

Tecnichal Details

**Model:** SPLASH  
**Product:** flanged odour trap for shower  
**Spec 1:** Flanged waste ø 80 mm, in brass  
**Spec 2:** Outlet ø 40-50 mm  
**Material 1:** PEHD  
**Material 2:** BRASS  
**Color 1:** BLACK  
**Color 2:** CHROMED



Approvals