

ITEM

5429AR99B4

NRV DOCCIA DA Ø40 MM A Ø54 MM

Product Type

Shower-tray traps

Shower traps spare parts



Logistic Info

Pcs per Carton:

Qty per Pallet:

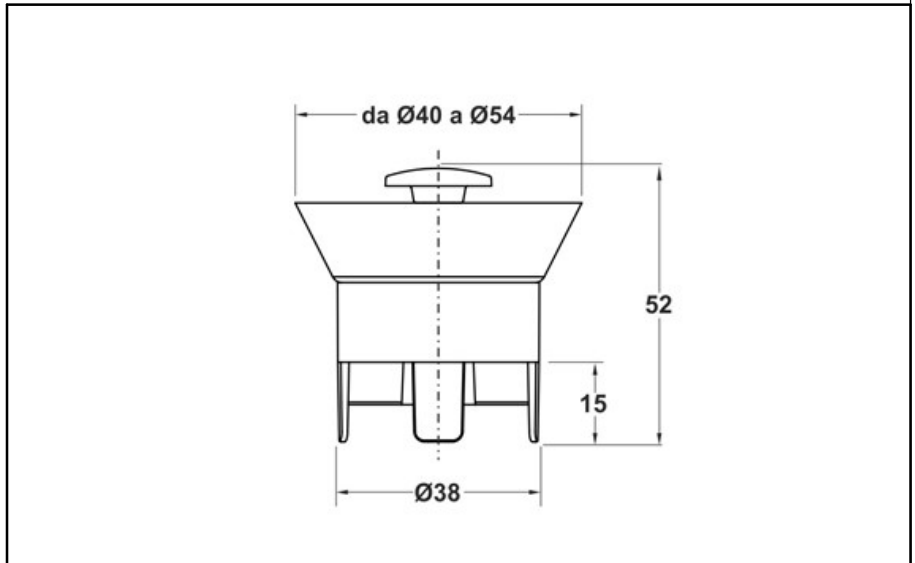
Unit weight: 0,04870

Flow rate Lt/m.:

ORIGINE: MADE IN CINA

Cod.EAN13: 8030575041063

Tarif Code :39229000



Tecnichal Details

Model: NRV

Product: Silicon anti-smell mechanical valve

Spec 1: Universal retro-fit for shower tray drains

Spec 2: From ø40 mm to ø54 mm

Material 1: ABS

Material 2: SYLICONE

Color 1: BLACK

Color 2: GREEN

Approvals