

ITEM

**5290ST12B7**

**DOCCIONE S/TAPPO SCARICO 1"1/2**

Product Type

Shower-tray traps

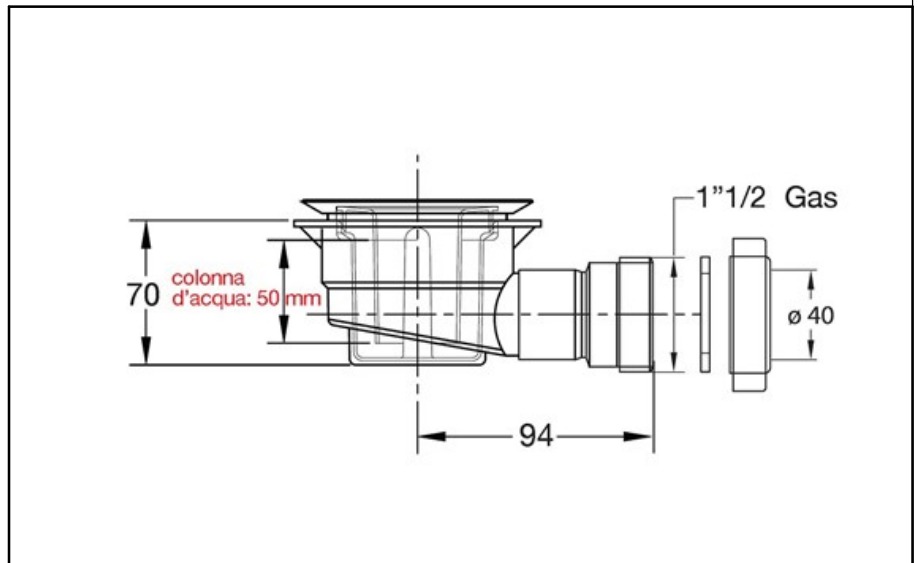
ø 90 mm shower traps



Logistic Info

**Pcs per Carton:** 25  
**Qty per Pallet:** 25  
**Unit weight:** 0,29000  
**Flow rate Lt/m.:**

ORIGINE: MADE IN ITALY  
Cod.EAN13: 8030575055015  
Tarif Code :39229000



Tecnichal Details

**Model:** DOCCIONE  
**Product:** Traditional shower tray siphons  
**Spec 1:** Without cover, wet siphon, threaded flange  
**Spec 2:** Threaded outlet 1"1/2  
**Material 1:** PP  
**Material 2:**  
**Color 1:** WHITE  
**Color 2:**

Approvals