

ITEM

**5230IX50S7**

**SAVOISIENNE INOX SC Ø 50**

Product Type

Shower-tray traps

Ø 90 mm shower traps

Logistic Info

**Pcs per Carton:** 10  
**Qty per Pallet:** 10  
**Unit weight:** 0,78500  
**Flow rate Lt/m.:**

ORIGINE: MADE IN ITALY

Cod.EAN13: 8030575040776

Tarif Code :39229000

Tecnichal Details

**Model:** SAVOISIENNE

**Product:** Shallow shower trays traps

**Spec 1:** ABS cap covered in stainless steel Ø 120 mm, Non-return-valve in silicone, threaded flange

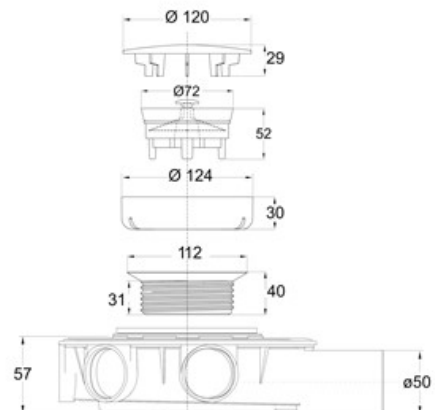
**Spec 2:** outlet Ø 50 mm, Height 57 mm

**Material 1:** PP

**Material 2:** INOX

**Color 1:** BLACK

**Color 2:** POLISHED



Approvals