

ITEM

**5230CR50S7**

**SAVOISIENNE ABS SC Ø 50**

Product Type

Shower-tray traps

Ø 90 mm shower traps

Logistic Info

**Pcs per Carton:** 10  
**Qty per Pallet:** 10  
**Unit weight:** 0,74000  
**Flow rate Lt/m.:**

ORIGINE: MADE IN ITALY

Cod.EAN13: 8030575040752

Tarif Code :39229000

Tecnichal Details

**Model:** SAVOISIENNE

**Product:** Shallow shower trays traps

**Spec 1:** Cover in chrome-plated ABS Ø 120 mm, Non-return-vale in silycone, threaded flange

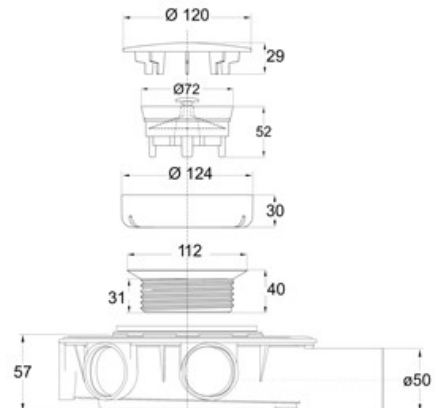
**Spec 2:** outlet Ø 50 mm, Height 57 mm

**Material 1:** PP

**Material 2:**

**Color 1:** BLACK

**Color 2:** CHROME-PLATED



Approvals