

ITEM

**5229AR79B4**

**NRV DOCCIA DA Ø75 MM A Ø80 MM**

Product Type

Shower-tray traps

Shower traps spare parts

Logistic Info

**Pcs per Carton:**

**Qty per Pallet:**

**Unit weight: 0,04300**

**Flow rate Lt/m.:**

ORIGINE: MADE IN CINA

Cod.EAN13: 8030575039824

Tarif Code :39229000

Tecnichal Details

**Model:** NRV

**Product:** Sylicon anti-smell mechanical valve

**Spec 1:** Universal retro-fit for shower tray drains

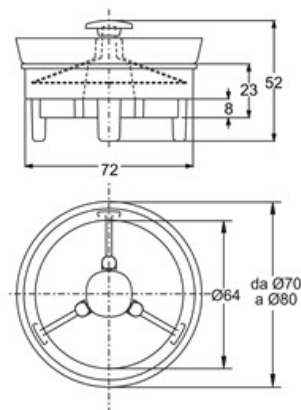
**Spec 2:** From ø75 mm to ø80 mm

**Material 1:** ABS

**Material 2:** SYLICONE

**Color 1:** WHITE

**Color 2:** GREEN



Approvals