

ITEM

5120NC80B2

SIF RIB DOCCIA Ø80 SC Ø40/50

Product Type

Shower-tray traps

ø 60 mm shower traps



Logistic Info

Pcs per Carton: 25
Qty per Pallet: 25
Unit weight: 0,22100
Flow rate Lt/m.: 25,20

ORIGINE: MADE IN ITALY

Cod.EAN13: 8030575062679

Tarif Code :39229000

Tecnichal Details

Model: LOW-FLAT

Product: Adjustable trap for shower plates

Spec 1: Inox grid ø 80 mm

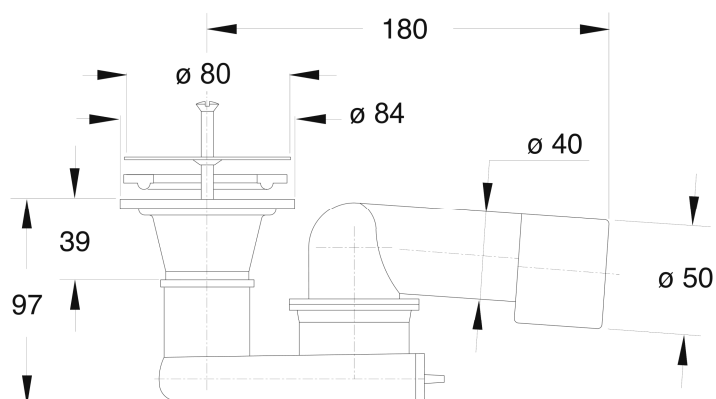
Spec 2: ø 40/50 mm

Material 1: PP

Material 2: INOX

Color 1: GREY

Color 2: GREY



Approvals