

ITEM

**5050ST64B0**

**TRIGONO IX S/TAPPO SC 1"1/2**

Product Type

Shower-tray traps

Ø 90 mm shower traps



Logistic Info

**Pcs per Carton:** 25

**Qty per Pallet:**

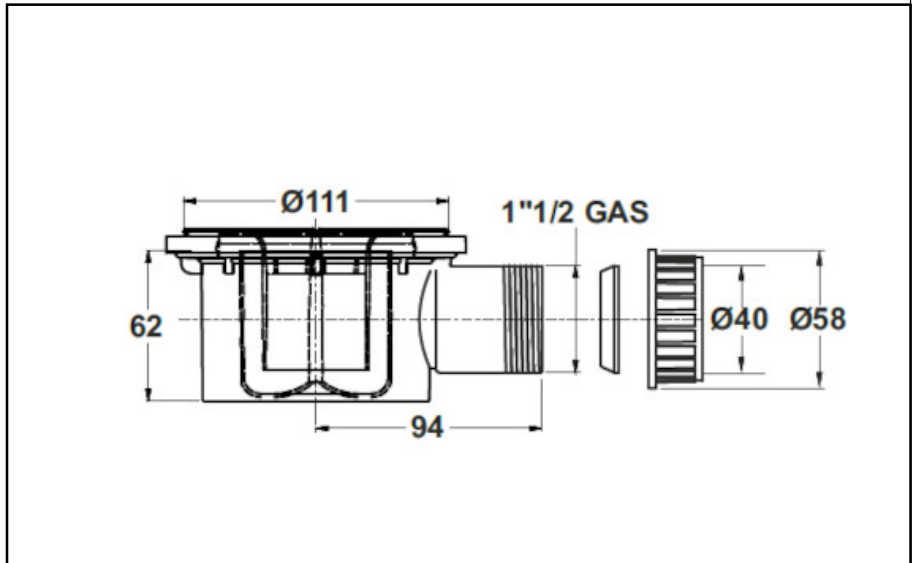
**Unit weight:** 0,24100

**Flow rate Lt/m.:**

ORIGINE: MADE IN SERBIA

Cod.EAN13: 8030575059464

Tarif Code :39229000



Tecnichal Details

**Model:** TRIGONO

**Product:** Traditional shower tray siphons

**Spec 1:** Lockable stainless steel flange. Without cover

**Spec 2:** Threaded outlet 1"1/2

**Material 1:** PP

**Material 2:** INOX

**Color 1:** WHITE

**Color 2:** POLISHED

Approvals