

ITEM

5050PX64B7

TRIGONO IX INOX SC 1"1/2

Product Type

Shower-tray traps

ø 90 mm shower traps

Logistic Info

Pcs per Carton: 25

Qty per Pallet:

Unit weight: 0,33300

Flow rate Lt/m.:

ORIGINE: MADE IN ITALY

Cod.EAN13: 8030575059488

Tarif Code :39229000

Tecnichal Details

Model: TRIGONO

Product: Traditional shower tray siphons

Spec 1: Lockable stainless steel flange. ø 120 mm ABS cover with stainless steel top.

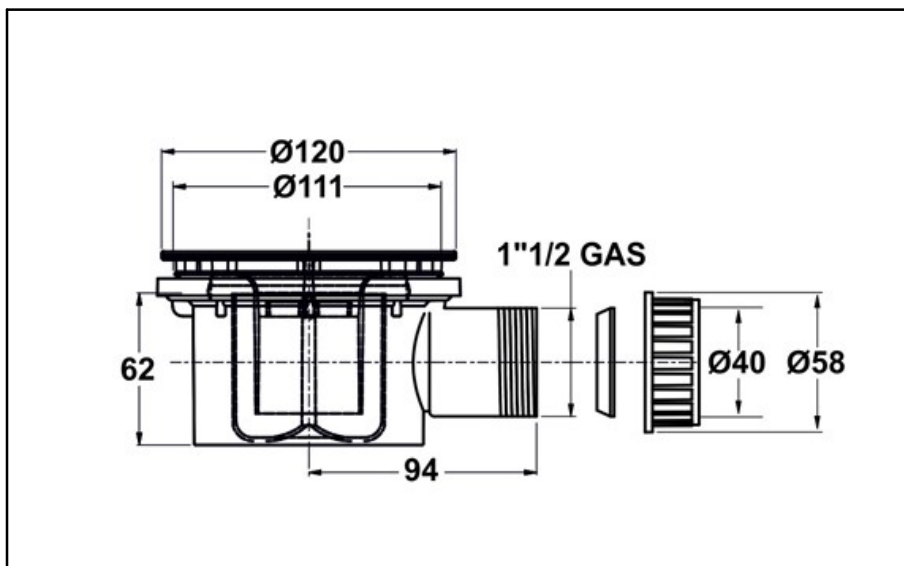
Spec 2: Threaded outlet 1"1/2

Material 1: PP

Material 2: INOX

Color 1: WHITE

Color 2: POLISHED



Approvals