

ITEM

5050PX50B7

TRIGONO IX INOX SC Ø 40-50

Product Type

Shower-tray traps

Ø 90 mm shower traps



Logistic Info

Pcs per Carton: 25

Qty per Pallet:

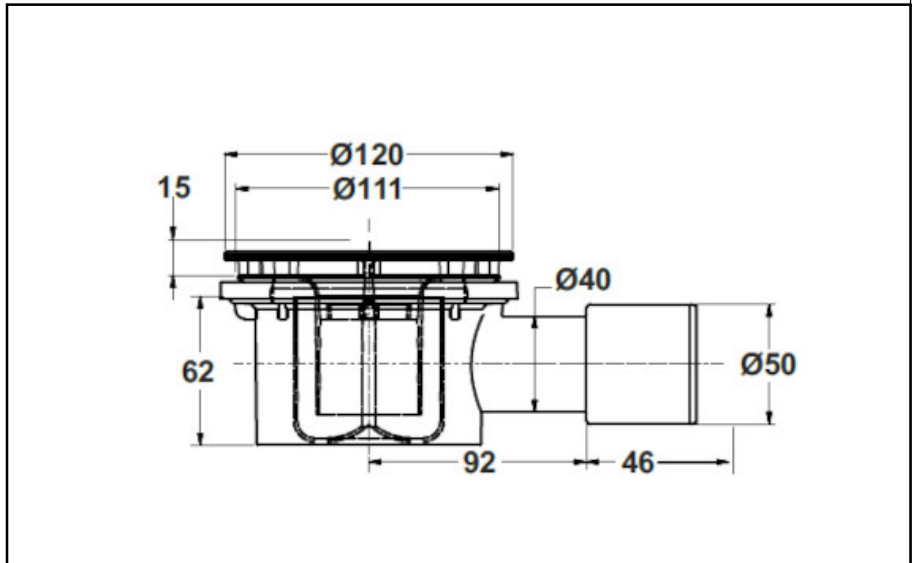
Unit weight: 0,32900

Flow rate Lt/m.:

ORIGINE: MADE IN CINA

Cod.EAN13: 8030575059495

Tarif Code :39229000



Tecnichal Details

Model: TRIGONO

Product: Traditional shower tray siphons

Spec 1: Lockable stainless steel flange. Ø 120 mm ABS cover with stainless steel top.

Spec 2: Outlet Ø 40-50 mm

Material 1: PP

Material 2: INOX

Color 1: WHITE

Color 2: POLISHED

Approvals