

ITEM

5050PA64B7

TRIGONO IX ABS SC 1"1/2

Product Type

Shower-tray traps

ø 90 mm shower traps

Logistic Info

Pcs per Carton: 25

Qty per Pallet:

Unit weight: 0,31800

Flow rate Lt/m.:

ORIGINE: MADE IN CINA

Cod.EAN13: 8030575059501

Tarif Code :39229000

Tecnichal Details

Model: TRIGONO

Product: Traditional shower tray siphons

Spec 1: Lockable stainless steel flange. ø 120 mm ABS chrome-plated cover.

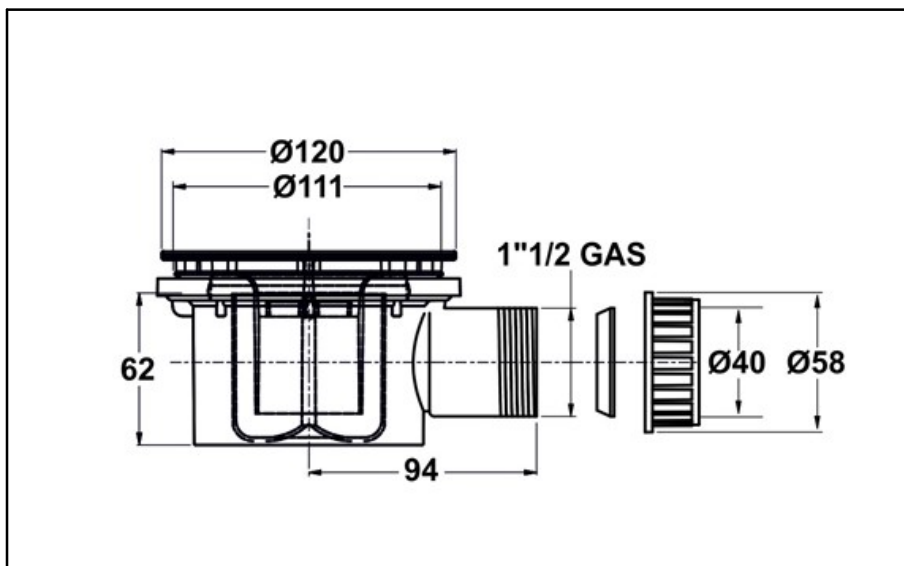
Spec 2: Threaded outlet 1"1/2

Material 1: PP

Material 2: INOX

Color 1: WHITE

Color 2: CHROME-PLATED



Approvals