

ITEM

**5024ST50B0**

**TRIGONO S/TAPPO SCARICO Ø40-50**

Product Type

Shower-tray traps

Ø 90 mm shower traps

Logistic Info

**Pcs per Carton:** 25

**Qty per Pallet:**

**Unit weight:** 0,23600

**Flow rate Lt/m.:**

ORIGINE: MADE IN SERBIA

Cod.EAN13: 8030575059457

Tarif Code :39229000

Tecnichal Details

**Model:** TRIGONO

**Product:** Traditional shower tray siphons

**Spec 1:** Lockable plastic flange (flat or angled). Without cover.

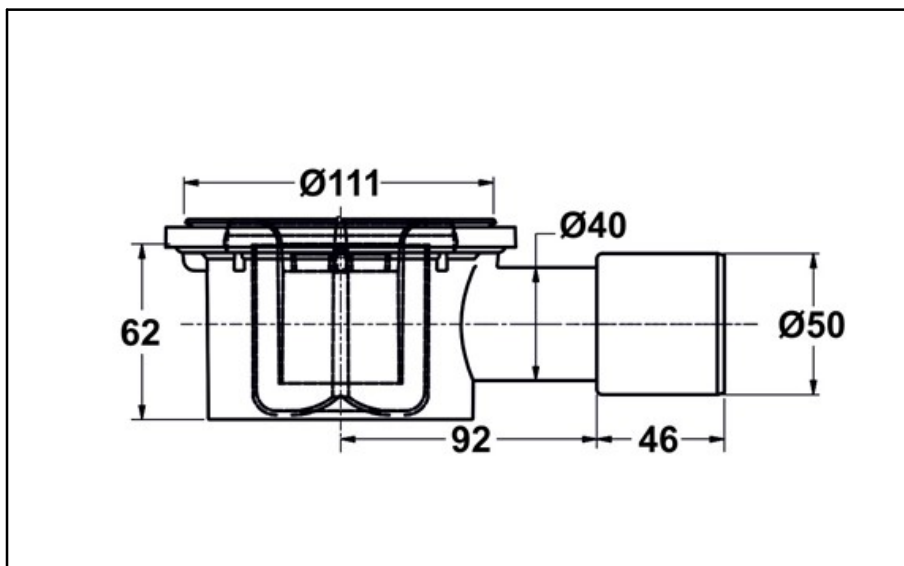
**Spec 2:** Outlet ø 40-50 mm

**Material 1:** PP

**Material 2:**

**Color 1:** WHITE

**Color 2:**



Approvals