

ITEM

**5013AB64B7**

**TRIGONO ABS SCARICO 1"1/2**

Product Type

Shower-tray traps

∅ 90 mm shower traps

Logistic Info

**Pcs per Carton: 25**

**Qty per Pallet:**

**Unit weight: 0,26100**

**Flow rate Lt/m.:**

ORIGINE: MADE IN SERBIA

Cod.EAN13: 8030575059426

Tarif Code :39229000

Tecnichal Details

**Model:** TRIGONO

**Product:** Traditional shower tray siphons

**Spec 1:** Lockable plastic flange (flat or angled). ∅ 120 mm  
chrome-plated ABS cover.

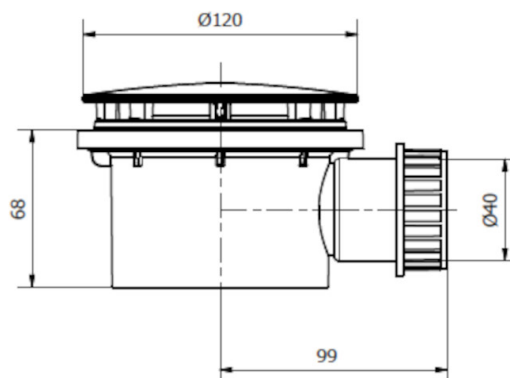
**Spec 2:** Threaded outlet 1"1/2

**Material 1:** PP

**Material 2:** ABS

**Color 1:** WHITE

**Color 2:** CHROME-PLATED



Approvals