

ITEM

5013AB50B7

TRIGONO ABS SCARICO Ø 40-50

Product Type

Shower-tray traps

Ø 90 mm shower traps



Logistic Info

Pcs per Carton: 25

Qty per Pallet:

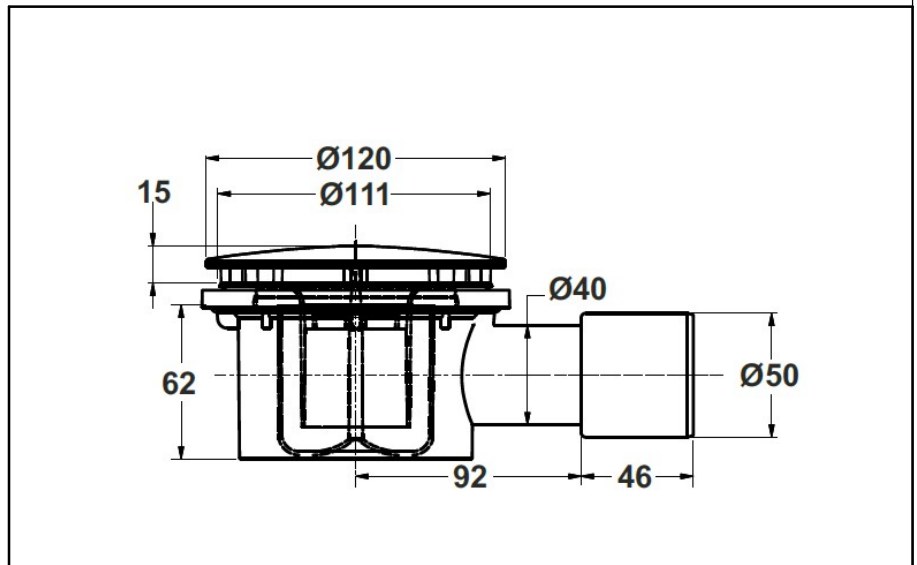
Unit weight: 0,26700

Flow rate Lt/m.:

ORIGINE: MADE IN SERBIA

Cod.EAN13: 8030575059433

Tarif Code :39229000



Tecnichal Details

Model: TRIGONO

Product: Traditional shower tray siphons

Spec 1: Lockable plastic flange (flat or angled). Ø 120 mm chrome-plated ABS cover.

Spec 2: Outlet Ø 40-50 mm

Material 1: PP

Material 2: ABS

Color 1: WHITE

Color 2: CHROME-PLATED

Approvals