

ITEM

4028OT50B7

EXTENSA OTTONE SCARICO Ø50

Product Type

Bath-tub drains

Bath traps with overflow

Logistic Info

Pcs per Carton: 20
Qty per Pallet: 20
Unit weight: 0,79900
Flow rate Lt/m.:

ORIGINE: MADE IN CINA

Cod.EAN13: 8030575060538

Tarif Code :39229000

Tecnichal Details

Model: EXTENSA

Product: pop-up bath tub drain

Spec 1: Handle in Zamak, plug in chrome-plated brass, Flexible welded overflow

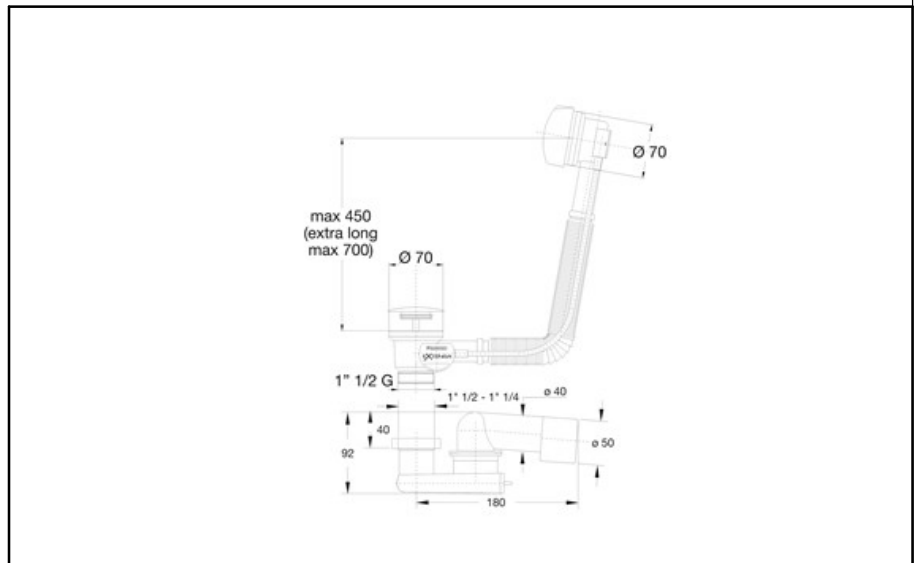
Spec 2: Odour trap outlet ø 50 mm

Material 1: PP

Material 2: BRASS

Color 1: WHITE

Color 2: CHROME-PLATED



Approvals