

ITEM

**4028AB50B7**

**EXTENSA ABS CROMO SCARICO Ø50**

Product Type

Bath-tub drains

Bath traps with overflow

Logistic Info

**Pcs per Carton:** 20  
**Qty per Pallet:** 20  
**Unit weight:** 0,58200  
**Flow rate Lt/m.:**

ORIGINE: MADE IN SERBIA

Cod.EAN13: 8030575060323

Tarif Code :39229000

Tecnichal Details

**Model:** EXTENSA

**Product:** pop-up bath tub drain

**Spec 1:** Handle and plug in chrome-plated ABS, Flexible welded overflow

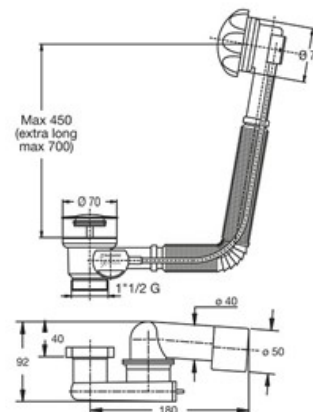
**Spec 2:** Odour trap outlet ø 50 mm

**Material 1:** PP

**Material 2:** ABS

**Color 1:** WHITE

**Color 2:** CHROME-PLATED



Approvals